

# SERENGETI

## MODEL NUMBER

SERENGETI SINGLE  
SERENGETI DOUBLE

## SPECIFICATIONS

**HOUSING** : LM 6 die cast aluminium.  
**LIGHT SOURCE** : The fitting is designed to operate a range of Compact Fluorescent lamps up to 26W and LED up to 2x10W.  
**DIFFUSER** : Toughened sandblasted glass.  
**FINISH** : Powder coated.  
**MOUNTING** : Wall mounted. Single - up or down light.  
 Double - up and down light.  
**CONTROL GEAR** : Electronic or magnetic control gear. The electronic supply is suitable for operation with 220 – 240 volts. 50 hertz single phase.  
**FASTENERS** : All external screws are stainless steel.  
**GASKET** : Neoprene gasket.  
**INGRESS PROTECTION** : IP 55.  
**MECHANICS** : Operating Temperature (T<sub>a</sub>) ≤ 35° C.  
 Weight : 2.5Kg including control gear.

## LIGHT SOURCE

### LED ZHAGA BOARD - Serengeti Single

LED Current	Power (W)	Colour Temp	Nominal Flux (lm)
700mA	10W	4000K	1346 lm
		3000K	1251 lm

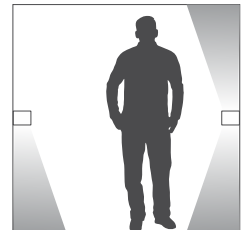
### LED ZHAGA BOARD - Serengeti Double

LED Current	Power (W)	Colour Temp	Nominal Flux (lm)
700mA	2 x 10W	4000K	2 x 1346 lm
		3000K	2 x 1251 lm

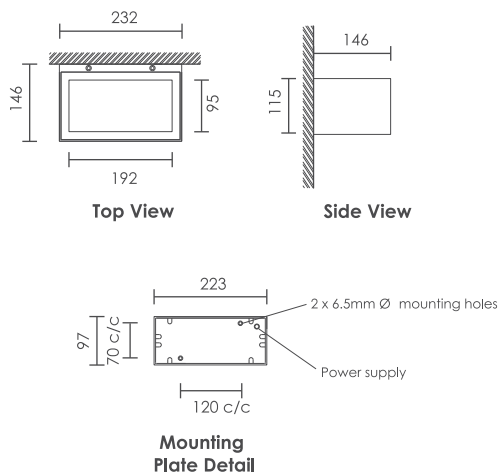


## APPLICATION AREAS

Indoor or outdoor application.  
 Single or double light element.  
 Commercial Developments.  
 Retail Developments.  
 Shopping malls.  
 Public buildings.



## DIMENSIONS IN MM

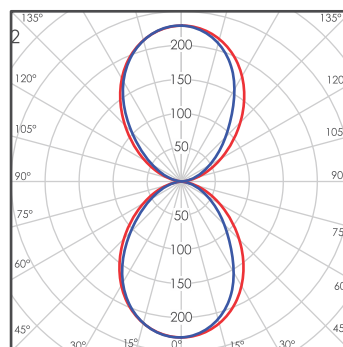


## COLOURS

	Black (BL)		Matt Silver (MS)
	White (WH)		Charcoal Grey (CG)

## LIGHT DISTRIBUTION

LED 2 x 10W SERENGETI DOUBLE



cd/klm  
 C0 - C180 C90 - C270

