

ACER

MODEL NUMBER

ACER

SPECIFICATIONS

HOUSING : LM 6 die cast aluminium.

LIGHT SOURCE : The fitting is designed to operate a LED up to 4W.

DIFFUSER : High impact acrylic.

FINISH : Powder coated.

MOUNTING : Wall mounted.

CONTROL GEAR : Electronic control gear. The electronic supply is suitable for operation with 220 – 240 volts. 50 hertz single phase.

FASTENERS : All external screws are stainless steel.

GASKET : Gaskets are manufactured from post cured silicone rubber material.

INGRESS PROTECTION : IP 65.

OPERATING TEMPERATURE : (T_a) ≤ 35° C.

WEIGHT : 0.786Kg including control gear.



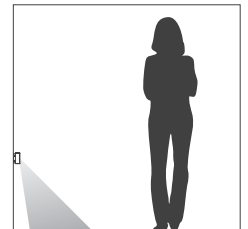
LIGHT SOURCE

LED SAMSUNG 2835

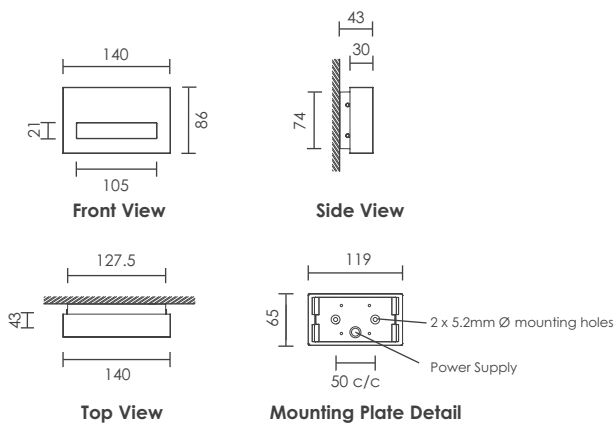
LED CURRENT (mA)	LUMINAIRE WATTAGE (W)	COLOUR TEMP (K)	NOMINAL FLUX (lm)
350mA	4W	4000K	379 lm
		3000K	355 lm

APPLICATION AREAS

Indoor or outdoor application.
Walkways.
Low level applications.
Commercial developments.
Retail developments.
Shopping malls.
Public buildings.



DIMENSIONS IN MM

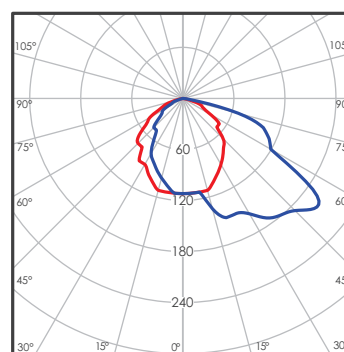


COLOURS

	Black (B)		Matt Silver (M)
	White (W)		Charcoal Grey (C)

LIGHT DISTRIBUTION

LED 4W



cd/klm
— C0 - C180 — C90 - C270

